

Autoclave

Pointer SA-A (Auto) Series

Pointer series are pressure control autoclaves, have two versions; the "Auto" Pointer version (SA-A), which is fully automated once a session is started.



Reliable Sterilization Partner

STURDY
APEX GROUP

Autoclave

Pointer SA-A (Auto) Series

Features

Pointer SA-A (Auto) Series

- Independent steam generator
- Wide range of usage
- Low water indication (Optional)
- Stainless steel chamber jacket, door support and steam generator
- Double wall chamber design
- Pre-heating program
- Cylindrical chamber volume: 100, 143, 196, 350 (L)



Autoclave

Pointer SA-A (Auto) Series

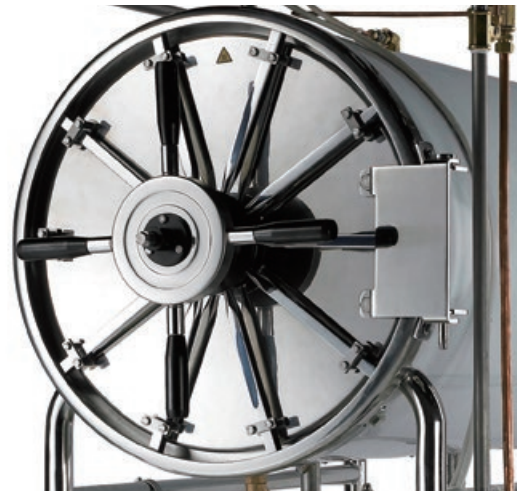
Pointer SA-A (Auto) Series External View

Pointer-SA-A (Cylindrical chamber)

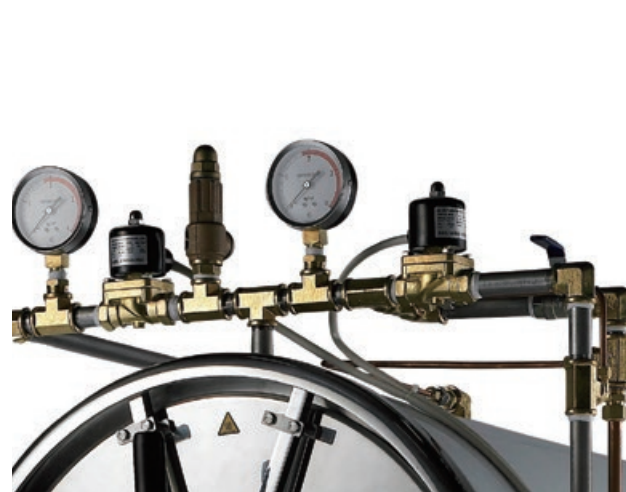
A Temp. of Chamber



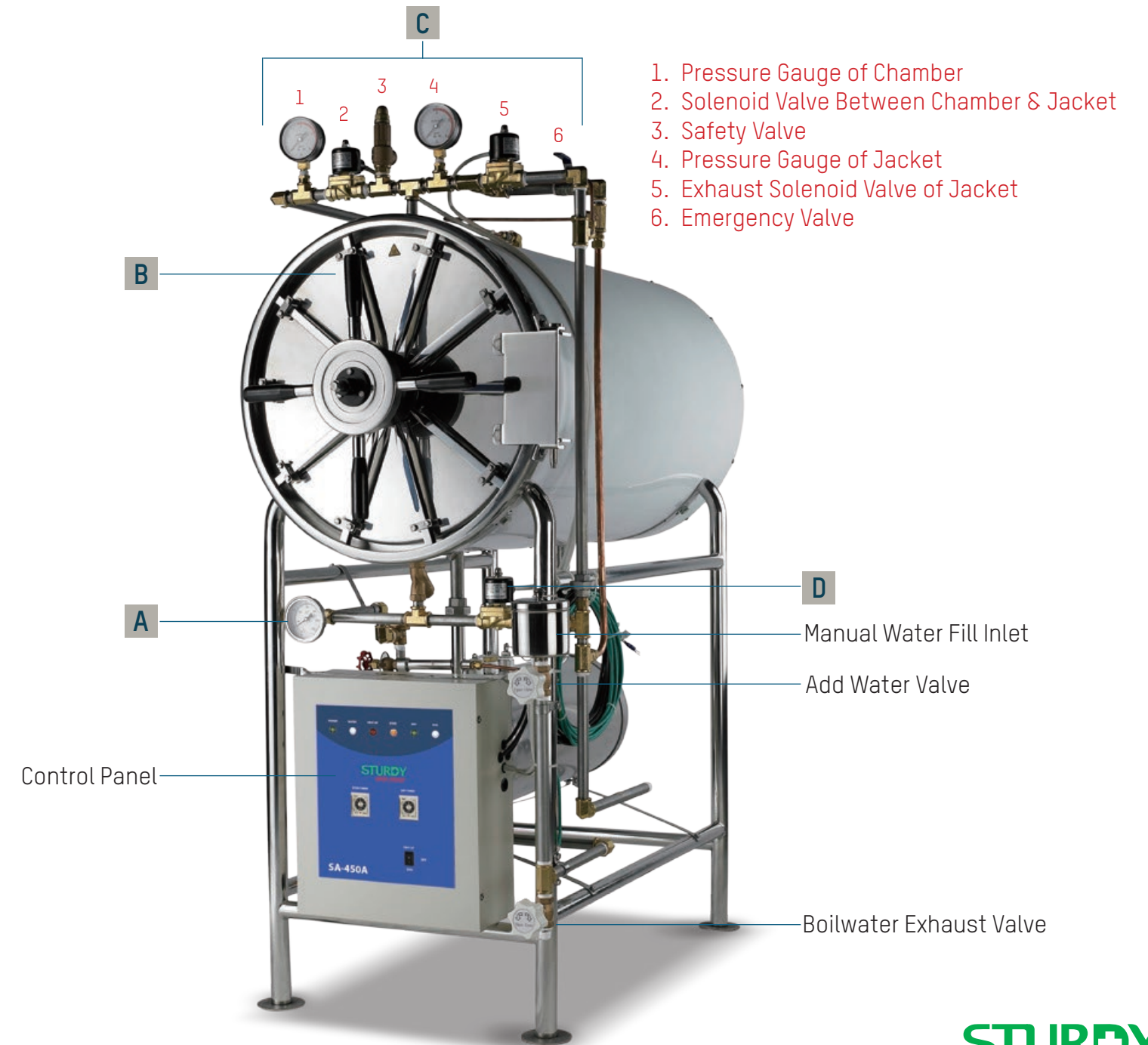
B Door Handle



C



D Exhaust Solenoid Valve of Chamber

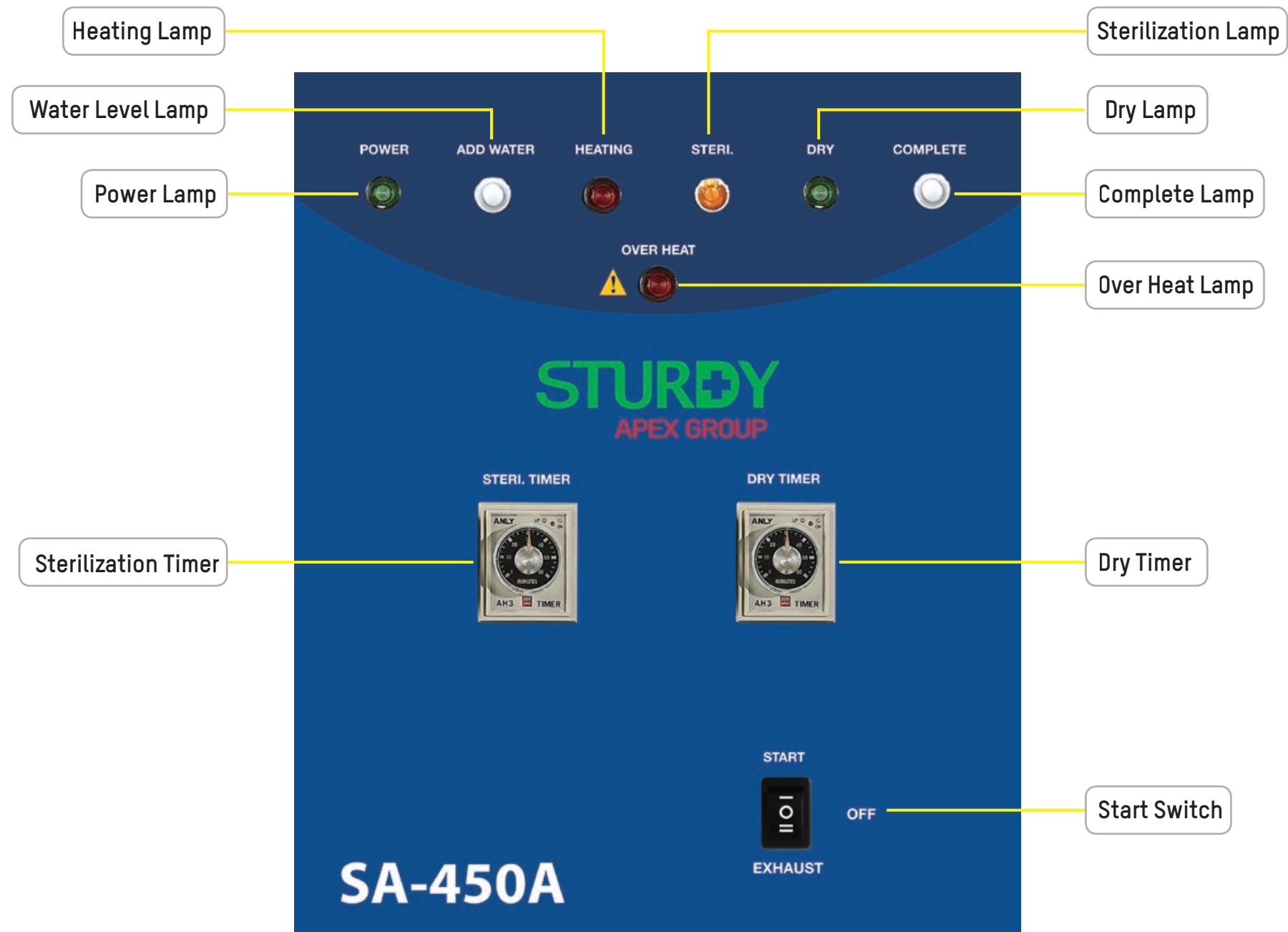


- 1. Pressure Gauge of Chamber
- 2. Solenoid Valve Between Chamber & Jacket
- 3. Safety Valve
- 4. Pressure Gauge of Jacket
- 5. Exhaust Solenoid Valve of Jacket
- 6. Emergency Valve

Autoclave

Pointer SA-A (Auto) Series

Pointer SA-A (Auto) Series Control Panel



Reliable Sterilization Partner

Autoclave

Pointer SA-A (Auto) Series

Certifications

- ISO 13485:2016 Quality Management System - Medical Devices

Autoclave

Pointer SA-A (Auto) Series

Pointer SA-A (Auto) Series Specifications

SPEC/Model NO.	SA-400A	SA-450A	SA-500A	SA-600A
Chamber Capacity (L)	100	143	196	350
Chamber Size Diam x Depth (mm)	400 x 800	450 x 900	500 x 1000	610 x 1200
Overall Dimensions W x H x D (mm)	630 x 1520 x 1070	670 x 1650 x 1250	670 x 1650 x 1290	800 x 1700 x 1475
Voltage (V)	230 / 380 (Mono / Tri phase)			
Heater (KW)	7		9	12
Water Fill *	Piped			
Chamber Type	Cylindrical			
Pressure Option (bar)	0.9-2.1			
Selectable Sterilization Timer	0-60 min.			
Selectable Dry Timer	0-60 min.			
Digital Printer	N/A			
6-Point Temp Sensor Recorder	N/A			
1-Point Temp Sensor Recorder	N/A			
Liquid	0			

* "Manual"- Water must be added manually. Manual water fill with optional piping.

Autoclave

Pointer SA-A (Auto) Series

Pointer SA-A (Auto) Series Specifications

SPEC/Model NO.	SA-400A	SA-450A	SA-500A	SA-600A
Temperature Indicator			Gauge	
Pressure Indicator * ²			Gauge	
Progress Indicator (bar or lights)			S	
Power Indicator			S	
Pressure Auto Lock			0	
Reset			N/A	
Standby * ³			N/A	
Program Selector			N/A	
Pre-Vacuum			N/A	
Post Dry Vacuum			0	
Water Pump			0	

Note: "S" - Standard configuration. "0" - Optional configuration.

*² "Gauge" - Includes both Jacket and Chamber pressure gauges.

*³ "Standby" - Allows the Big Autoclave to maintain jacket temperatures between sterilization sessions.

Other notes:

- Standard Chamber / Jacket / Door / Housing are made of Stainless Steel#304. #316 Stainless steel optionally available for Chamber / Jacket / Door.
- Heater material is Stainless Steel #316.
- Standard Accessories: Tray*1, Glass Viewer Tube * 2
- Optional Accessories: Trolley / Plate Set / Basket
- Sturdy also offers customized sizes up to 2000 L.

Autoclave

Pointer SA-A (Auto) Series

Comparison Table - Floor Stand Series Feature Comparison

Model NO. Specification	HP	SAT	SAP	Pointer-Auto	Pointer-Manual
Control System	Digital Temp. PLC Control		Mechanical Pressure Control Optional: (T) for Digital Temp. Control	Mechanical Pressure Control	
Program for selection Wrapped/Unwrapped/Liquid	Yes			N/A	
Air Removal	Vacuum Pump		Gravity		
Pre-Vacuum Function	Yes		N/A		
Post(Dry)-Vacuum Function	Yes		Optional (V)		N/A
Dry function	Yes (Auto)				Yes (Manual)
Printer & USB storage	Yes	N/A			
1-point temp. recorder	N/A	Yes	Optional (X)	N/A	
6-point temp. recorder	N/A	Optional (Y)		N/A	
Double Door	Optional (D)			N/A	
Fill water system* (Water pressure 2 bar required)	Auto			Manual Optional (B) for auto	Manual
Chamber/Jacket Pressure display	Gauge / LCD Display		Gauge		
Stand-by Switch	Yes		N/A		
Emergency/Reset Switch	Yes			N/A	
Add-Water Pump	Optional (W)			Optional (BW)	N/A
Water level Protection	Yes			Optional (L)	
Pressure door auto-lock	Yes		Optional (K)		

Option Codes (e.g. Optional (V)) listed in the table above are only reference codes used by other documentation.

Autoclave

Pointer SA-A (Auto) Series

Option Codes

Option Codes (e.g. Optional (V)) listed in the table above are only reference codes used by other documentation.

B: AUTO-ADD WATER PLUMBING (WATER PRESSURE OF 2 BARS REQUIRED)

K: PRESSURE DOOR AUTO-LOCK DEVICE

V: DRY VACUUM PUMP

W: ADD WATER PUMP

Autoclave

Pointer SA-A (Auto) Series

Accessories

A Basket



B Plate Set



C.1 Optional Trolley



D Filter



C.2 Optional Trolley

