

Lab Series

Autoclave

- VMB series are the newest products for lab channel in 2017. According to your requirement, STURDY provides three different type-Economic, Standard and Advanced.
- SA-300VLA is designed for Lab and Research Centers. The most important feature is a temperature Sensor for more precise liquid temperature control. It also has piped water supply and auto water fill.
- SA-300VL is suitable for Lab and Research Centers. It is upright systems and contains enough vertical space for two baskets.



Autoclave

Lab Series

Features

VMB Series

- LCD display
- Fast cooling
- Steam condenser
- Pre-reservation for auto-start
- Double interlock with pressure & temperature
- Agar/dissolution program
- Multiple language support
- Printer and data recorder(SD card)
- Automatic overflow detection for drain water bottle
- Complied with Pressure Equipment: PED 2014/68/EU
Safety: EN 61010-1, EN 61326-1
Quality System: ISO 13485
- Chamber volume: 82L



Autoclave

Lab Series

Features

SA-300VLA

- Digital temperature control
- Graduated sterilization timer
- Liquid temperature sensor for more precise liquid temperature control
- Auto water fill (pied-in)
- Chamber volume: 50 L



Autoclave

Lab Series

Features

SA-300VL

- Digital temperature control
- Pressure overload protection
- Overheat protection
- Door safety mechanisms
- Pressure auto door lock
- Chamber volume: 50 L



Reliable Sterilization Partner

STURDY
APEX GROUP

Autoclave

Lab Series

VMB Series External View

A SD memory card slot



B Power & Pipe heating



C Printer



D Pressure gauge



Autoclave

Lab Series

SA-300VLA External View

A Handle



B Gauge



C Liquid temperature sensor for more precise liquid temperature control



Reliable Sterilization Partner

Autoclave

Lab Series

SA-300VL External View

A Door handle



B Adjustable for exhaust



C Pressure / temperature gauge

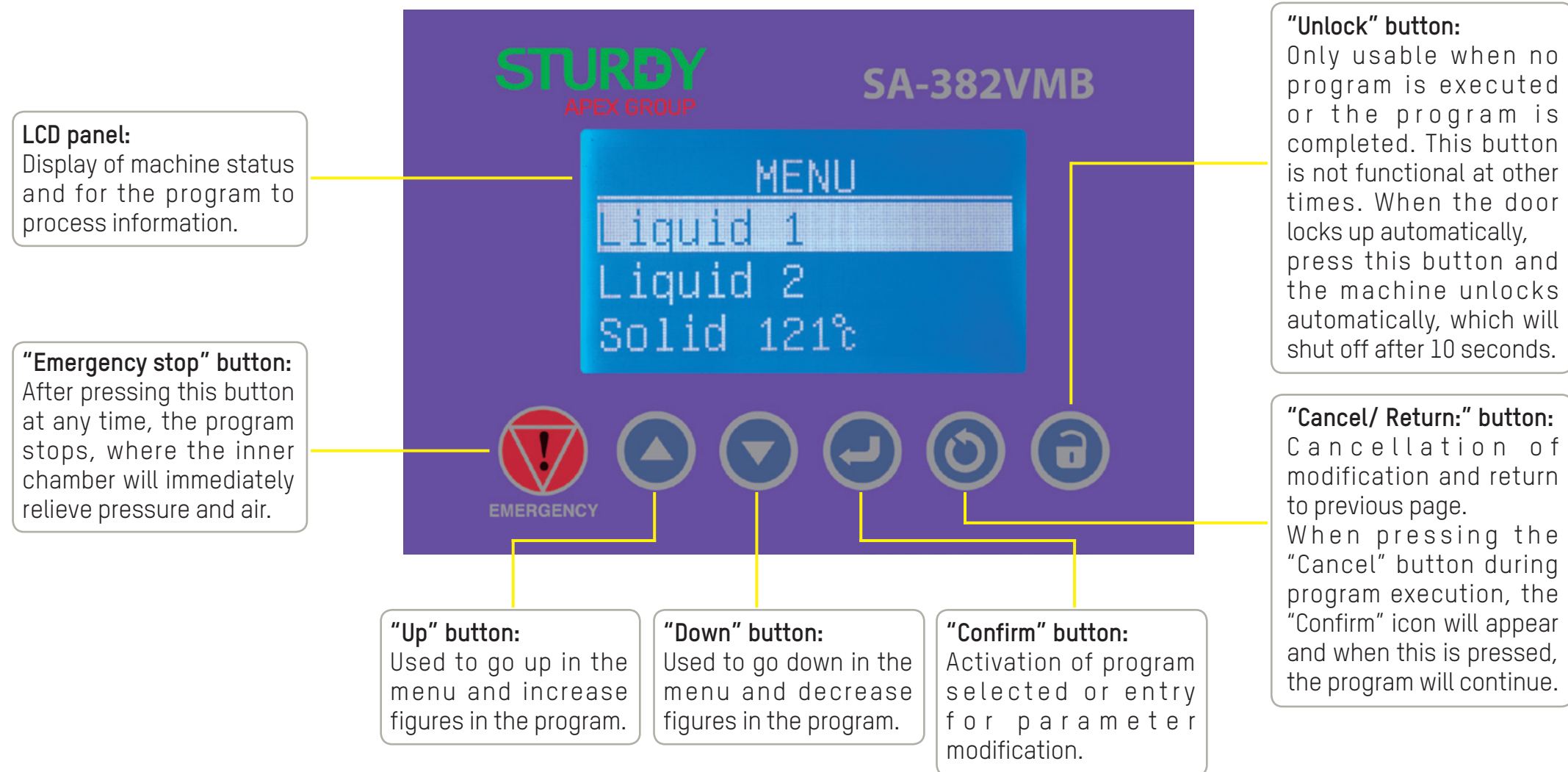


Reliable Sterilization Partner

Autoclave

Lab Series

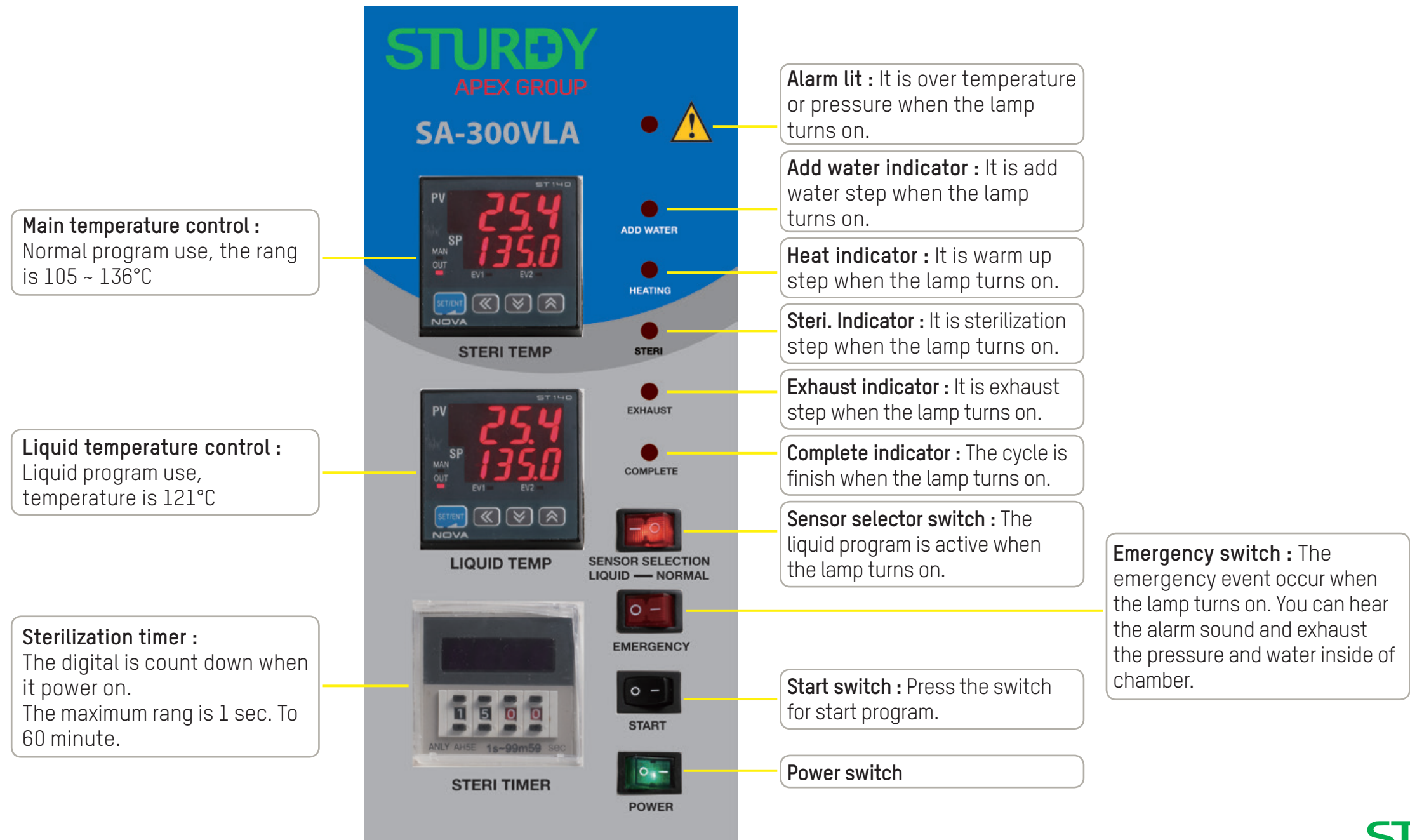
VMB Control Panel



Autoclave

Lab Series

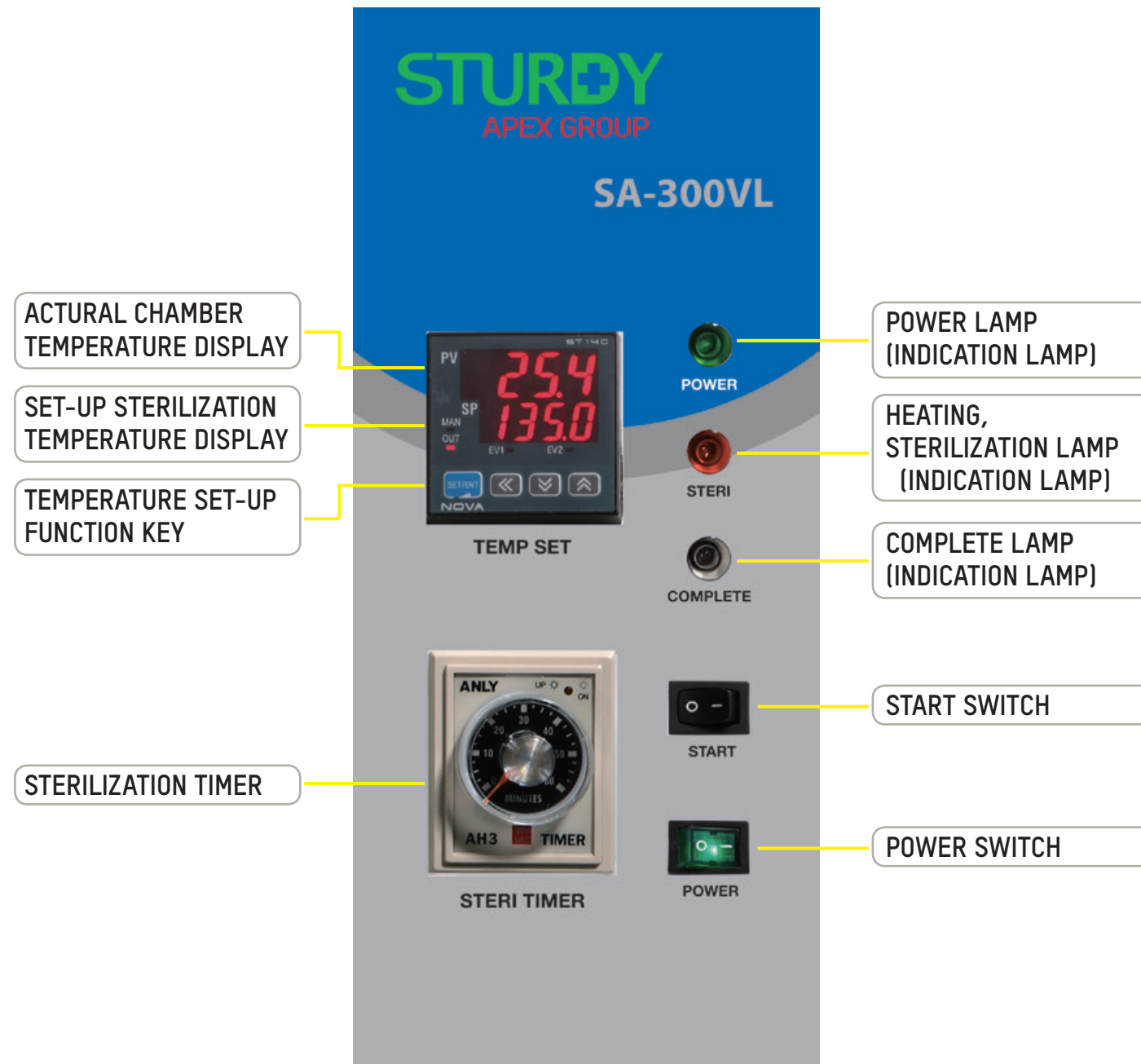
SA-300VLA Control Panel



Autoclave

Lab Series

SA-300VL Control Panel



Autoclave

Lab Series

Certifications

Sturdy is manufactured in compliance with the following directives and standards:

- PED (Pressure Equipment Directive)
- EN 61010-1 (Safety Requirements for measurement control and laboratory use)
- EN 61326-1 (EMC; Electrical equipment for measurement, control and laboratory use)
- EN ISO 13485 (Medical Devices - Quality Management Systems)

Lab Series

VMB Series Specifications

Autoclave

Type	Economic	Standard	Advanced
Sterilization Temp.		105°C-135°C	
Sterilization Time		1-419 min	
Dissolution Temp.		60°C-100°C	
Dissolution Time		1-179 min	
Warm Temp. Range		40°C - 60°C	
Warm Time		99 hr	
Fast cooling		3 Fan motor	
Floating Sensor		PT-100	
Vacuum Pump	N/A	N/A	S
Automatic Adding Water	N/A	S	S
Printer	N/A	S	S
SD CARD	N/A	S	S
Program		<ul style="list-style-type: none"> • Solid 121°C / 135°C • Liquid X 2 • Agar • Dissolution (Melting) • Customization X 2 • Dry (Option) 	
Safety device		<ul style="list-style-type: none"> • Overpressure protection • Overheat protection • Auto door lock • Leakage circuit breaker 	

Type	Economic	Standard	Advanced
Chamber Volume (L)		82	
Chambe Size (mm)		Ø 380 x 756	
Overall Dimension (mm)		670 W x 1010 H x 580 D	
Condenser System		Fin Tube Condenser	
Condensed Water Bottle	N/A	6 L	6 L



Note: We provide the following three types of specification with a flexible range of features.

Autoclave

Lab Series

VMB Series Specifications

Loading capacity of VMB

Item	Volume	Total Q'ty (Pcs X Layers)
		SA-382VMB
Erlenmeyer flasks 	250 ml	12 X 4
	500 ml	8 X 3
	1000 ml	5 X 2
	2000 ml	2 X 2
	5000 ml	1 X 1
Schott-Duran media bottles 	250 ml	19 X 4
	500 ml	12 X 3
	1000 ml	8 X 2
	2000 ml	4 X 2
	5000 ml	1 X 1

Autoclave

Lab Series

SA-300VL/VLA Specifications

SPEC/Model NO.	SA-300VL	SA-300VLA
Chamber Capacity (L)	50	
Chamber Size Diam x Depth (mm)	300 x 710	
Overall Dimensions W x H x D (mm)	600 x 1090 x 450	600 x 980 x 450
Voltage (V)	230	
Current(A) / Power(W)	10A / 2300W	
Heater (W)	2300	
Dry Heater (W)	N/A	
Net Weight (Kg)	72	77
Water Fill*	Manual	Piped
Type	Vertical	
Water Tank Capacity (cc)	N/A	
Water Consumption per cycle (cc)	900-1020	
Temperature Options (°C)	105-136	
Prion	N/A	
Bowie Dick Test	N/A	
Pump Test	N/A	
Sterilization Timer	0-60 min.	
Dry Timer	N/A	

SPEC/Model NO.	SA-300VL	SA-300VLA
Redry	N/A	
Data Recorder	N/A	
Liquid	S	
Liquid Temp. Control & Sensor	N/A	S
Temperature Indicator	LED	
Pressure Indicator	Gauge	
Progress Indicator (bar or lights)	S	
Power Indicator	S	
Pressure Auto Lock	S	
Door Closed Indicator	N/A	
Low Water Indicator	N/A	
Reset	N/A	
Program Selector	N/A	
Error Indicator	N/A	
Pre-Vacuum	N/A	
Post Dry Vacuum	N/A	

* "Manual" - Must add water manually for each session. "Piped" - Uses local water plumbing with auto-fill.

Note: "S" - Standard configuration. "O" - Optional configuration.