

ST-220 SERIES OPERATING TABLE



ST-220 Series operating tables

FEATURES:

- 100% tabletop for image intensification. (C-arm X-ray scanning)- "S" type only.
- Electric hydraulic control brake system with emergency manual release valve.
- Side rails, accessories and clamps are all made of stainless steel.
- Split leg sections can be moved Up/Down +90° and 90° horizontally each.
- Tabletop can be equipped with special plate (STA-008) for X-ray cassette.
- The tabletop can be connected with orthopedic extension tractor for orthopedic and fluoroscopy operation. "A" type & "AS" type only. The orthopedic extension tractor can be installed on tabletop, and movement together with tabletop. Further it can be used for image intensification (C-Arm X-ray) scanning.
- "R" type equipped with auto-brake system. When you press the "ON" button from the hand controller, the Table will be locked automatically.
- "R" type has been installed three one-touch-position buttons: Auto-Revert, Tabletop "V" (Flex) and "A" (Reflex) positions.
- "B" type is fully AC24V power control system. And the UPS recharging system can keep the table control in 80 times, if Elec. Power supply stopped.
- "B" type installed with indication lamp, to indicate the battery power condition. Further, the recharging system will be auto-stopped, when the battery recharging power is full.
- "N" type is specially designed for neurosurgery operation.(Low table height from 54CM)



Control box for "R" type tables



Table top sliding → 30cm(ST-220S Type)



Table top sliding ← 30cm(ST-220S Type)



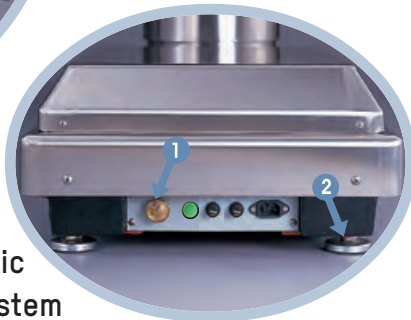
Table top rotation 180°



C-arm X-ray scanning(ST-220S type)



Special design frame,
with slide function
will offer 99% X-ray
transmission
table top

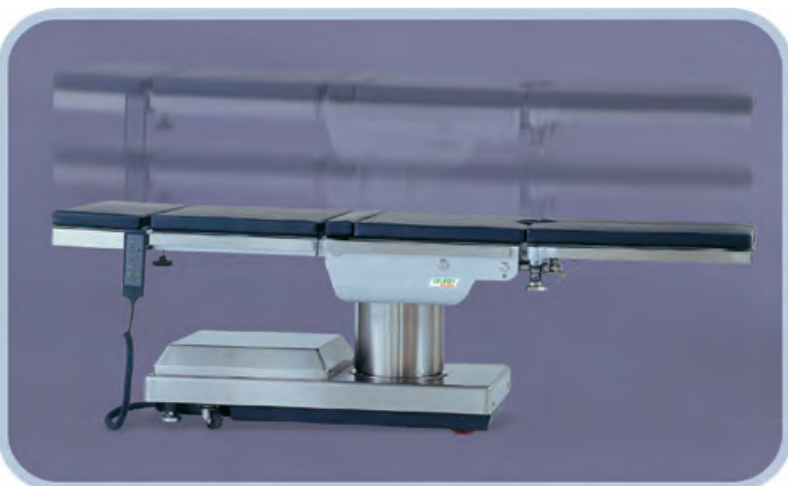


- 1. Emergency brake
Release valve
- 2. Elec. hydraulic
Brake system

ST-220N neurosurgery operation table



Elevation: 54cm~102cm



Ophthalmology - ENT - Neurosurgery
Different head supports can be used



Kidney operation-The operating field is
exposed and stretched.



Microscopic operation with optional accessory



Head and neck - Stable position , anatomically adapted to the patient's body



Dorsal Operation with optional accessory



Lumbar spine operation with optional accessories



Prone - Anatomically correct patient position



Lithotomy posturing



Urology, gynecology posture



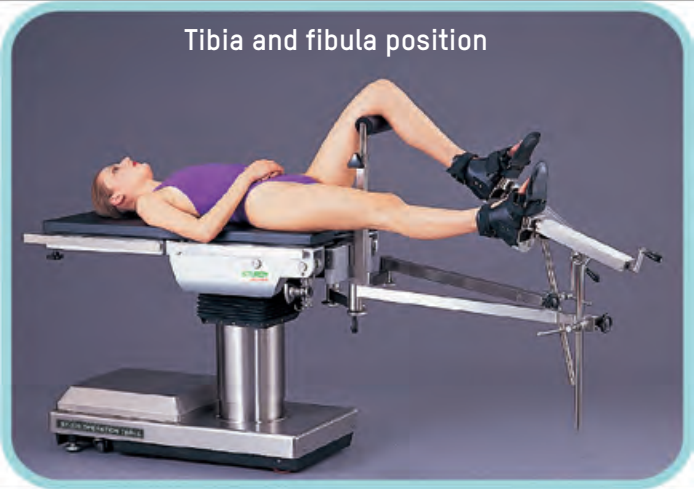
ST-220A

Extension for orthopedic operation and fluoroscopy table

ST-220A offers an optional orthopedic extension tractor system for lower limbs, tibia, knee neck of femur, lateral postion.

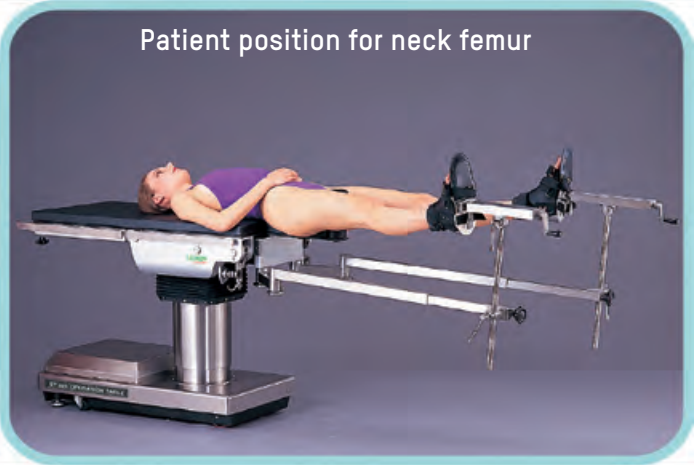


Orthopedic extension tractor with cart



Tibia and fibula position

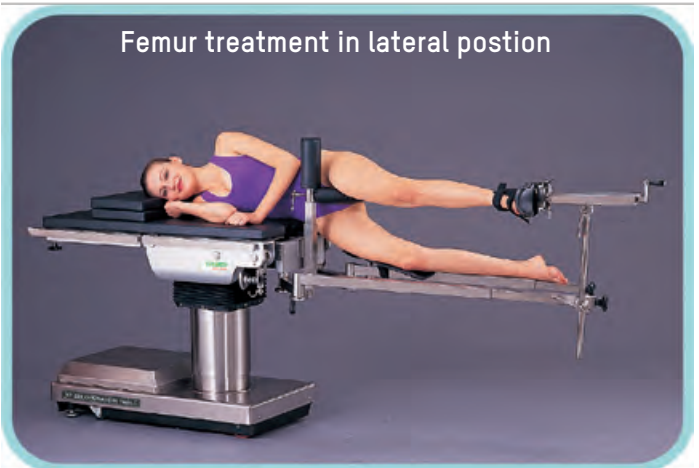
Special design hip support for adult & child



Patient position for neck femur



Elevation design for any different size body



Femur treatment in lateral postion



Arthroscopy and shoulder surgery unit



Forearm fracture procedure posturing

ST-220 Series Elec. Hydraulic Tables

FUNCTION SYMBOL

“A” type is special for **orthopedic operation** and **fluoroscopy** with extension tractor device.

“S” type with **tabletop sliding function** for radiography and image intensification procedures.

“N” type is special tabletop elevation **54-102 cm** for neurosurgery operation.

“B” type is **Elec. Power auto-recharge system**, to keep the table in power condition.

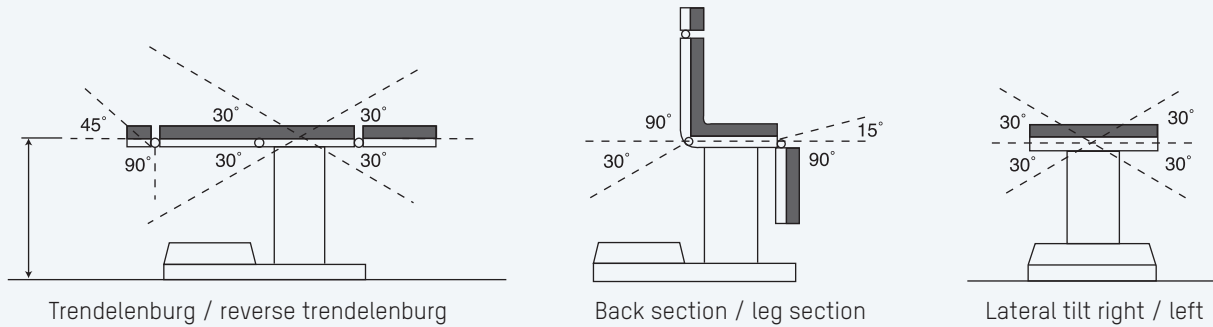
“R” type with tabletop and elevation **Auto-Revert function** and memory tabletop “V” (Flex) and “Λ” (Reflex) function.





STURDY TABLES

More Safety - Reliability - Satisfaction



Specification of ST-220 series **ST-220**
50CM x 195CM

Model No.	ST-220	ST-220S	ST-220A	ST-220AS	ST-220N
Tabletop Dimensions	50 CM x 195 CM	50 CM x 195 CM	50 CM x 195 CM	50 CM x 195 CM	50 CM x 195 CM
Tabletop Elevation	74 CM ~ 110 CM	74 CM ~ 110 CM	74 CM ~ 106 CM	74 CM ~ 106 CM	54 CM ~ 102 CM
Back Section	-40° ~ +90°	-30° ~ +90°	-40° ~ +90°	-30° ~ +90°	-40° ~ +90°
Lateral Tilt Right / Left	±30°	±30°	±30°	±30°	±22°
Trendelenburg	±30°	±30°	±30°	±30°	±22°
Sliding Range	N/A	30CM	N/A	30CM	N/A
Tabletop Rotation	180°	180°	180°	180°	180°
Head Section(Manual Control)	+30° ~ -90°	+30° ~ -90°	+30° ~ -90°	+30° ~ -90°	+30° ~ -90°
Leg Section(Manual Control)	+15° ~ -90°	+15° ~ -90°	+15° ~ -90°	+15° ~ -90°	+15° ~ -90°
Power Supply	AC 110V / 230V	AC 110V / 230V	AC 110V / 230V	AC 110V / 230V	AC 110V / 230V
Power Consumption	500VA / 350VA	500VA / 350VA	500VA / 350VA	500VA / 350VA	500VA / 350VA
Control Voltage	DC 24V / DC 5V	DC 24V / DC 5V	DC 24V / DC 5V	DC 24V / DC 5V	DC 24V / DC 5V
Elec. Hydraulic Brake (Manual) "R" Type Is Auto-Brake Design	Yes	Yes	Yes	Yes	Yes
Standard Accessories: # Screen Frame / Clamp *1 # Arm Board / Clamp *2 # Head Board / Fixing Clamp *1 # Leg Board / Connector *2 # Control Box *1 # Mattress *1	Yes	Yes	Yes And Extension Tractor with Cart	Yes And Extension Tractor with Cart	Yes
Optional Function: "B" Type With Auto-Recharge System "R" Type With Auto-Revert & Tabletop "V" And "Λ" Memory & Auto-Brake Function.	ST-220B ST-220R ST-220BR	ST-220SB ST-220SR ST-220SBR	ST-220AB ST-220AR ST-220ABR	ST-220ASB ST-220ASR ST-220ASBR	ST-220NB ST-220NR ST-220NBR
Safety And Quality Approval	EMC, LVD & MDD / CE MARK	EMC, LVD & MDD / CE MARK	EMC, LVD & MDD / CE MARK	EMC, LVD & MDD / CE MARK	EMC, LVD & MDD / CE MARK

OPTIONAL ACCESSORIES: Please check with our accessories catalogue.

PS: "A" type is special for **orthopedic operation** and **fluoroscopy** with extension tractor device.
 "S" type with **tabletop sliding function** for radiography and image intensification procedures.
 "N" type is special tabletop elevation **54-102cm (4 section cylinders)** for **neurosurgery** operation.
 "B" type is **Elec. Power auto-recharge system**, to keep the table in power condition.
 "R" type with tabletop and elevation **Auto-Revert function** and memory tabletop "V" (Flex) and "Λ" (Reflex) function controlled by one-touch function key.



STURDY INDUSTRIAL CO., LTD.

No.168, Sec.1, Zhongxing Rd., Wugu Dist., New Taipei City 24872, Taiwan
 Tel: 886-2-2981-5245 Fax: 886-2-2984-8208
 E-mail: foreign@sturdy.com.tw
www.sturdy.com.tw

STURDY reserves the rights to improve the equipment shown without prior notice.